

T Series Thermoform Granulator

Internal surfaces of the solid steel cutting chamber are machined to an exceptionally smooth finish.



8-inch airveyor discharge with optional blower simplifies removal of granulated material.



Hydraulic assisted hopper hinge provides quick access and knife adjustments.



Removal of rear panel gives total access to cutting chamber for faster cleaning and screen removal.



Caster-mounted base allows for easy re-positioning.

23 1/4" tall—low profile design allows for machine mounting or under the press applications.



Compact Granulators for Inline Processing of Thermoformed Scrap

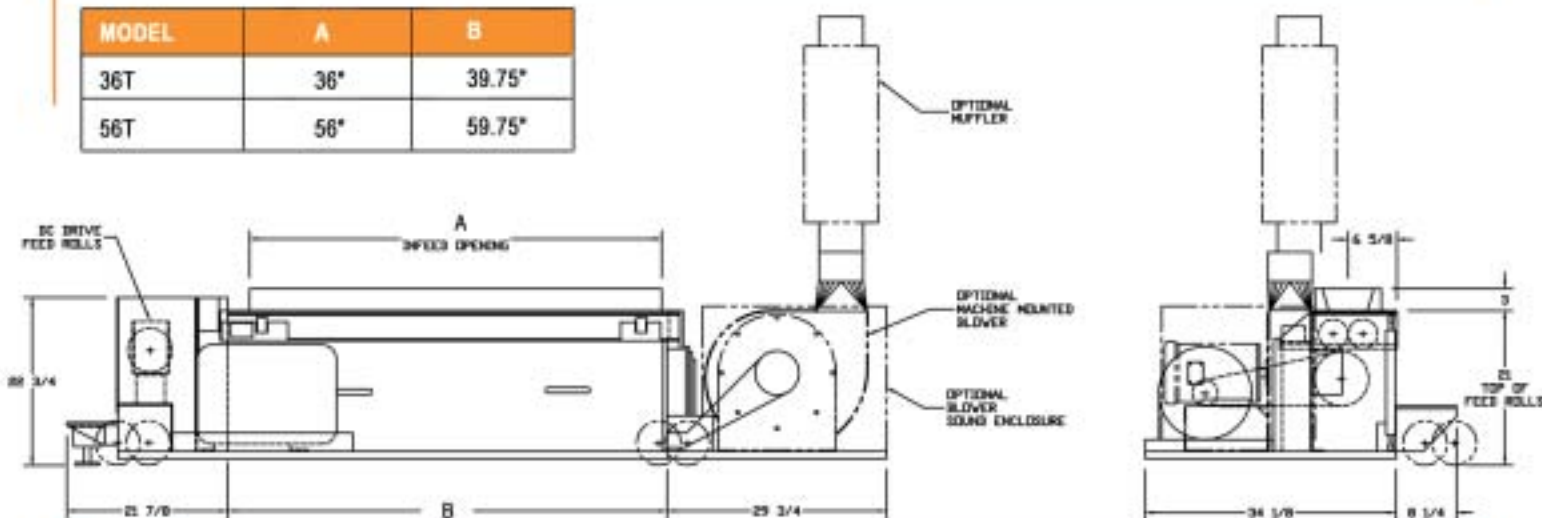
The Cumberland T Series granulators are designed for continuous reclamation of skeletal web directly from the thermoform trim process. The low profile T Series can be positioned directly beneath the trim press for on-line operation with continuous airveyor removal. Throughput matches thermoformer output, up to 1500 lbs./hr.

For low-power, low-RPM operation, six knives are mounted in an offset pattern on the alloy steel rotor in conjunction with two adjustable, stationary knives with double cutting edges. This means more lineal inches of cut, more capacity, and less likelihood of plugging. A front access door lifts off to fully expose both screens.

T Series Thermoform Granulator

Standard Configuration

MODEL	A	B
36T	36"	39.75"
56T	56"	59.75"



Specifications

Infeed	Spring loaded driven feed roll--poly smooth
Cutting Chamber	Solid steel sections up to 4" thick, internally ground to a high finish; 2 reversible bed knives, HCHC, opposing high chrome, high carbon steel, adjustable; 7.9" Diameter Cutting Circle
Rotor	Full body, high alloy steel, 3 knife slant cut; 6 high chrome, high carbon steel knives; steep angle, keen edge, in offset pattern
Motor	7.5 HP, 1800 RPM
Screen	5/16", reversible, 36T 1 piece, 56T 2 Piece

Standard Features

- Double-sealed outboard rotor bearings preclude contamination. All other bearings in the machine are double-sealed for long life reliability.
- Split rotor knives are offset for optimum cutting efficiency and power consumption.
- Screens, mounted in swing-down cradles, are easily removed from the front of the machine.
- Adjustable bed knives have two cutting edges, and are reversible for extended life.

Available Options

- Paddle rolls or horizontal infeed hopper
- 1/4", 3/8", and larger screens
- 10 HP, 15 HP, 20 HP motors
- 1 HP, D.C. feed roll motor
- Machine-mounted blower
- Blower sound-enclosure



CORPORATE HEADQUARTERS

100 Roddy Avenue
South Attleboro, MA
02703-7951
TEL: (508) 399-6400
FAX: (508) 399-6653

Daniels Industrial Estate
Bath Road, Stroud
Gloucestershire GL5 5AL
England
TEL: (44) 1453-768980
FAX: (44) 1453-768990

www.cumberland-plastics.com

ALL DATA SUBJECT TO CHANGE WITHOUT NOTICE

REGIONAL SERVICE CENTER (800) 229-2919

West Coast Service Center
780 Miliken Avenue, Suite C
Ontario, CA 91761
FAX: (909) 390-8143

Central Service Center
10606 Widmer
Lenexa, KS 66215
FAX: (913) 327-1969

East Coast Service Center
100 Roddy Avenue
South Attleboro, MA 02703
FAX: (508) 399-6306

ACS Tech Center
4100 Market Place
Flint, MI 48507
TEL: (810) 720-7300
FAX: (810) 720-2598